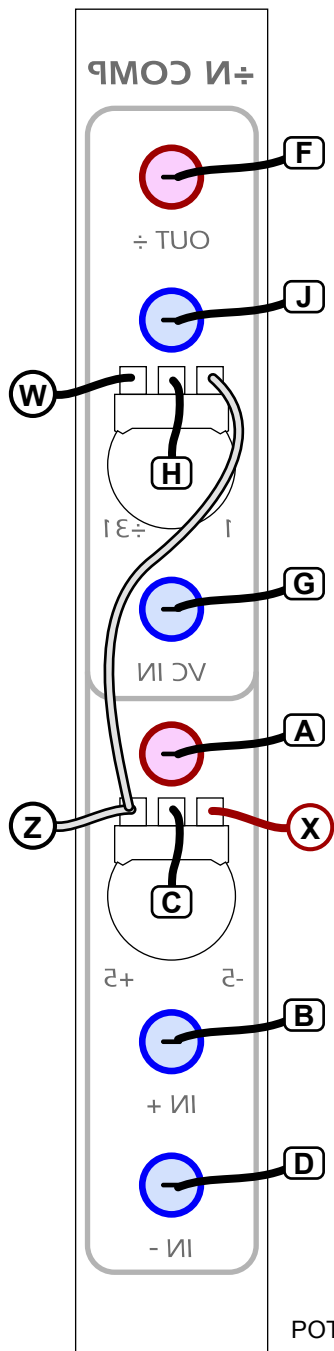
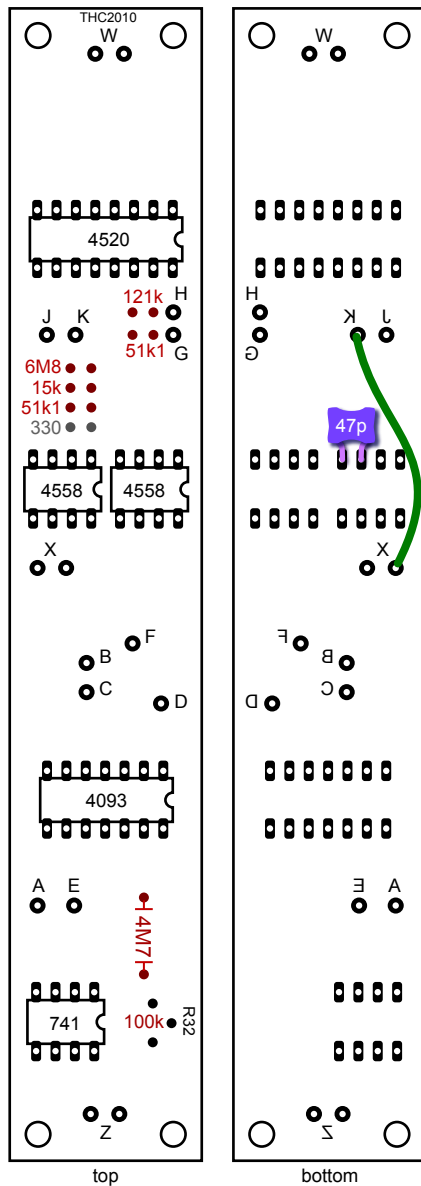


÷N COMP Wiring Diagram & Build Instructions

tested & works, Aug 2010 (Guy D2)



POTS: 50k LIN



Building Instructions

- First install the LM741. Do not install the 4093 and 4520 !
- Adjust R32 Trimmer for +5V at pin 6 of the 741.
- Now the 4093 & 4520 can be safely installed.

Do NOT install:

- C3 (near 741)
- R3
- R12
- R18

On the solder side, install:

- jumper between pads K & X.
- 47p Mica cap over p1 & p2 of the left 4548.

PCB changes

On the THC2010 edition of the NCOM (issued by Jon, July 2010), replace the following resistors:

	new	on board
R13	51k1	47k
R14	121k	110k
R15	51k1	47k
R16	15k	47k
R17	6M8	47k

(R13, R14, R15 = 1%)

Use 4M7 for R30 (unlabeled on the pcb)

Connect, and follow the Kit Instructions for testing.