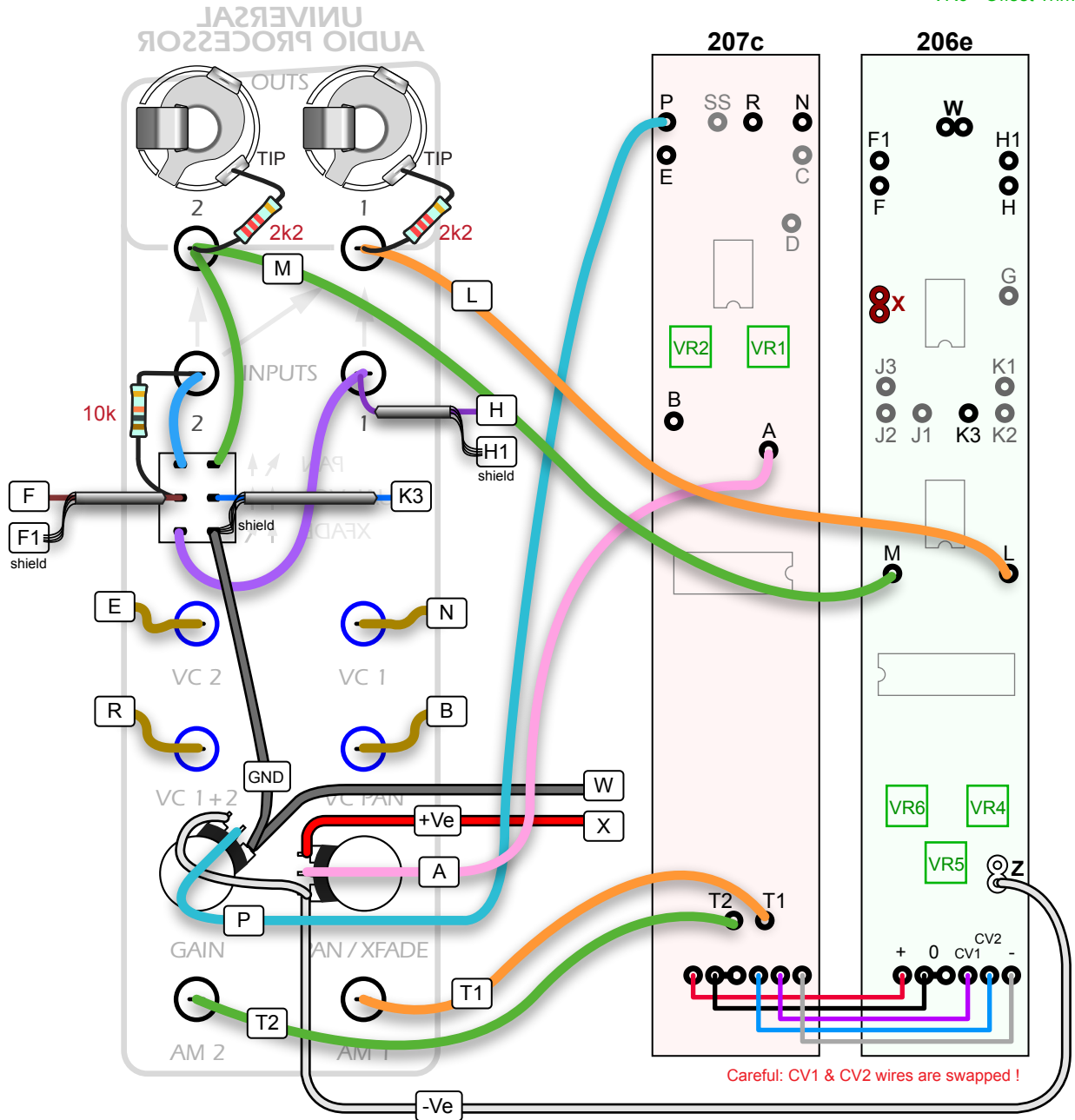
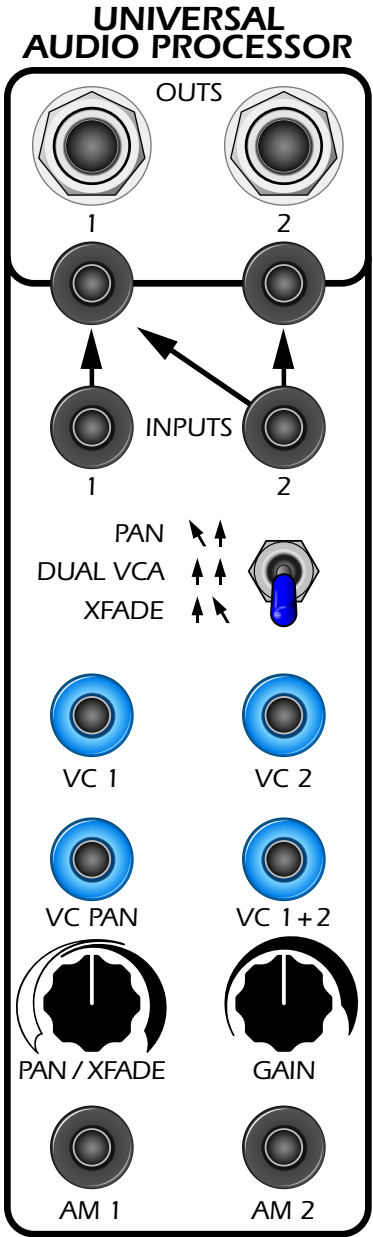


UAP Wiring Diagram, adapted from original Kit Instructions
 22 June 10, updated & corrected 17 Aug 10

- 207c:**
 VR1 - Gain Trim (Out 2)
 VR2 - Gain Trim (Out 1)
- 206e:**
 VR4 - Offset Trim
 VR5 - Gain Trim (both)
 VR6 - Offset Trim



Careful: CV1 & CV2 wires are swapped !

COMPONENT VIEW

POTS: 50k Lin
 SWITCH: DPDT On-Off-On