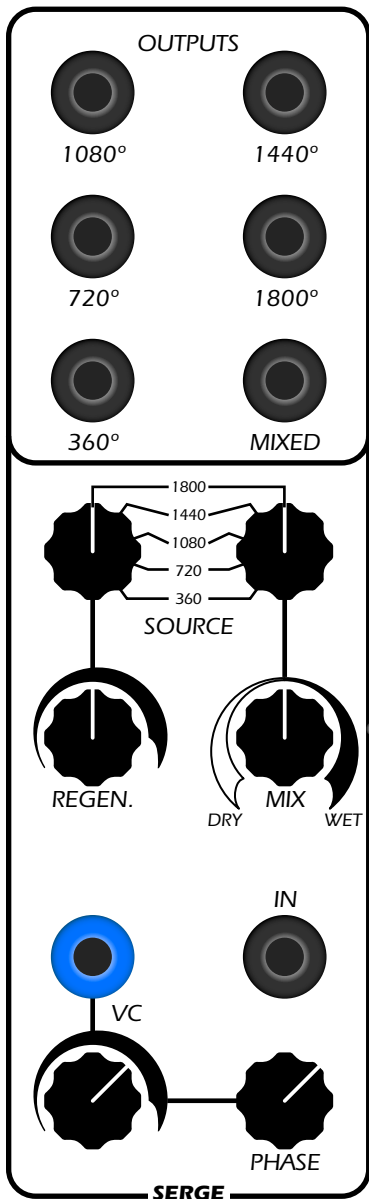
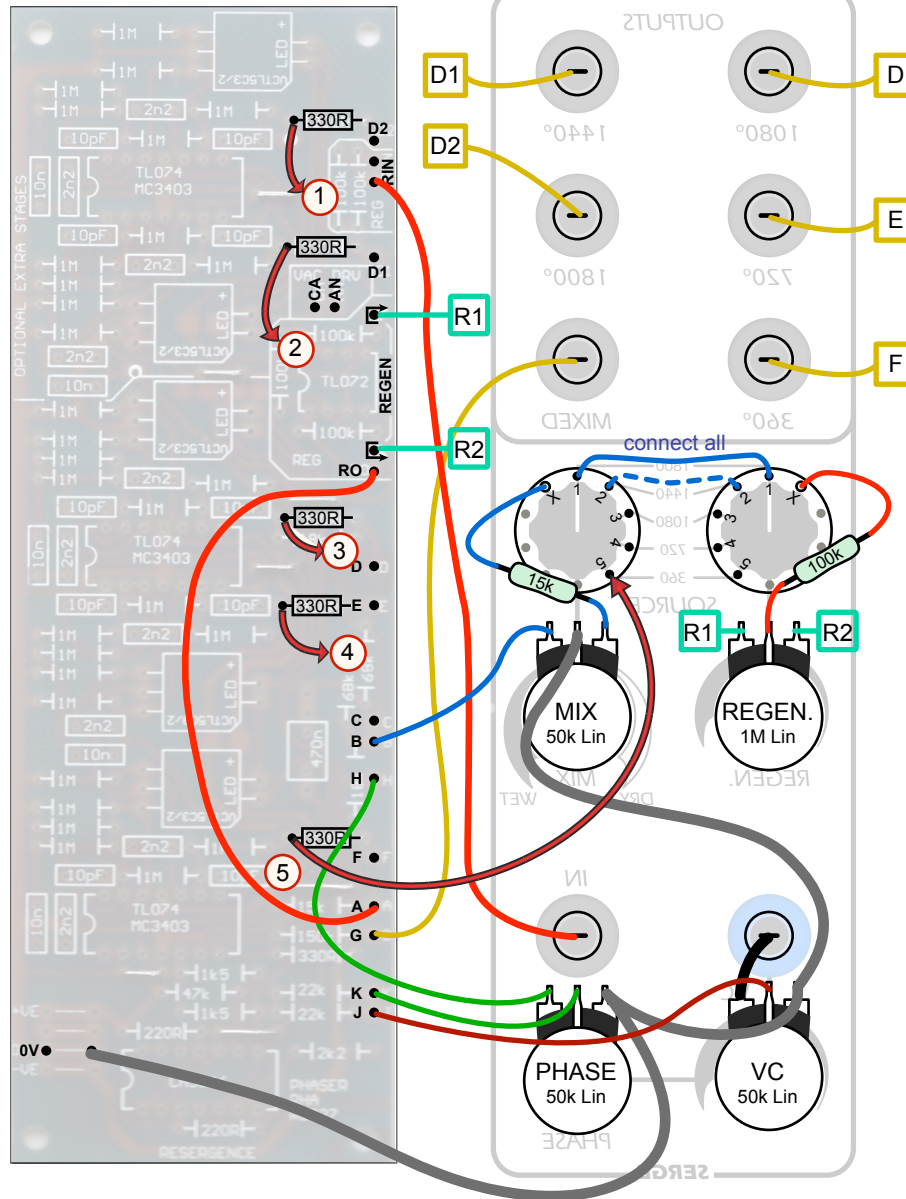


EXTENDED PHASER



suggested panel with optional extra stages



RES27 PHASER - Wiring Diagram for a suggested Extended Version

- D2 1800° OUT
- D1 1440° OUT
- D 1080° OUT
- E 720° OUT
- F 360° OUT
- G MIXED OUT

- GND CCW PHASE pot
- K Wiper PHASE pot
- H CW PHASE pot

- GND CCW VC pot
- J Wiper VC pot
- VC IN CW VC pot

specifically for the Extended Version:

- connect 1...5 from before the R330's (PCB) to the correct lugs on the rotary switch.
- interconnect the lugs on both rotaries.
- MIX SOURCE switch OUT (X) : through a 15K resistor to CCW MIX pot.
- GND Wiper MIX pot
- B CW MIX pot
- REG. SOURCE switch OUT (X): through a 100K resistor to Wiper REG. pot.
- R1 & R2 to CW & CCW of the REG. pot.
- RIN Input socket
- RO to pad A

A few PCB modifications need to be made as well. See RES27_vac-drw_mod.jpg